

Product Technical Information

Installation

Radiators are only suitable for wet systems with the inlet and outlet placed at the bottom. Two wall brackets hold and secure the radiator in place. The brackets can be only used on flat wall surfaces. The total projection from the wall is about 95mm. ½ inch valve connection

***** It is recommended that the product is installed by a professional plumber *****

Dimensions

1553 mm Height – 487mm Wide – 47mm Deep

Weight

The approx. weight is 14 kg

Water capacity

Approx 2 litre.

Material

All our radiators are made from Aluminium to provide excellent heating performance. This is due to Aluminium's excellent thermal conductivity, far superior to that of steel and cast iron equivalents.

Disposal

Aluminium is a highly recyclable material. The product can be disposed of in any recycling centre.

Testing and operating pressures

All models are high pressure tested to withstand 152.3 psi (10.5 bar). All radiators are guaranteed to perform to a maximum working pressure of 116 psi (8 bar) at a maximum temperature of 95°C. All conform to BS EN 442 - the European Standard for radiators.

Heat output

1890 Watt – 6448 BTU

Heat outputs calculated in accordance with BS EN442, based on a Delta T at 60 *C. For Delta 50*C multiply by 0.79.

Finish

Heat resistant polymer powder coat. This finish is moisture resistant and hence suitable for bathrooms being easy to clean and maintain.

Packaging

All our packaging has been tested and designed to ensure the integrity of the radiator. Each radiator is packaged using a double wall cardboard, polystyrene round protection and bubble wrap. The packaging can be re-used or disposed of in standard recycling containers.

Maintenance

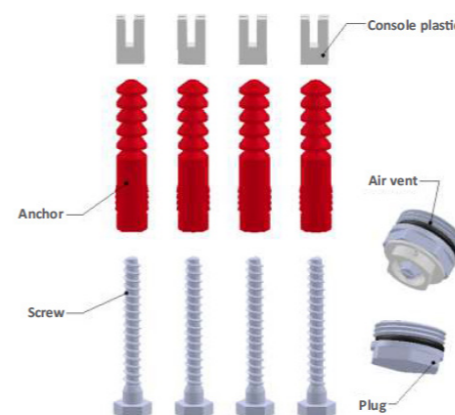
Clean with soap and water. Do not use abrasives.

Installation Instructions

Model: Morar

IHE
Designer Radiators

Assembly kit



Each box includes

- o 1 Radiator
- o 2 Wall brackets
- o 1 Air vent
- o 1 Plug
- o Screws and Anchors
- o 4 Console plastic
- o Instructions for installation and assembly
- o Warranty policy

Warranty Policy

We provide a 5 year warranty covering water leaks and low performance of the radiator. If there is any problem with the product during this period of time, the product can be returned to be repaired or fully replaced. This warranty does not cover paint work or any damage to the surface caused by lack of care or due to faulty installation.

Warranty covers:

- o Water leaks (excluding valve leaking)
- o Heat output issues
- o Wall bracket defects

Please fill in the following and return to IHE Designer radiators
17 Deerdykes view, Cumbernauld, Glasgow G68 9HN

Date purchased ___/___/___ Location _____

Customer name _____

Address _____

IHE
Designer Radiators

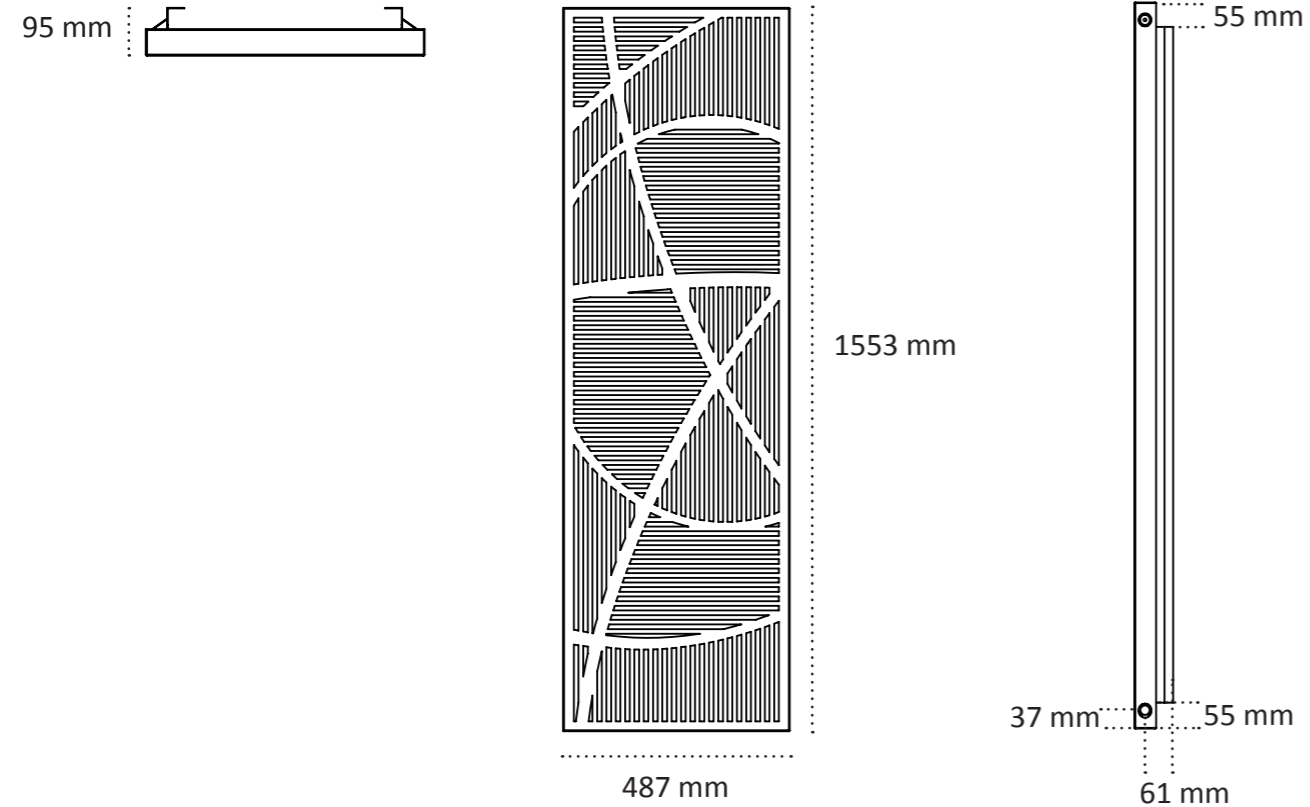
www.ihedesign.com

17 Deerdykes view, Cumbernauld, Glasgow G68 9HN
+44 (0) 1236 723673



1

Dimensions



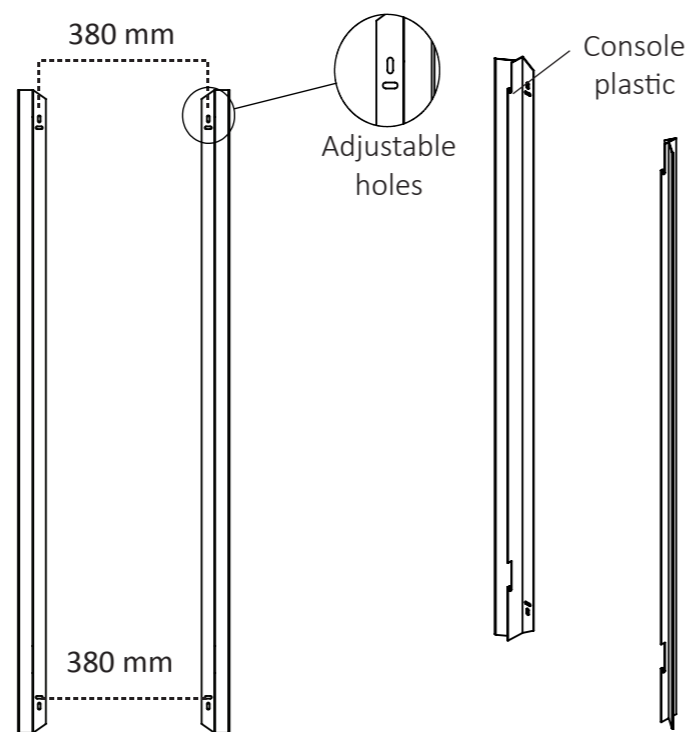
2

Wall bracket

Dimensions from centre of the hole

The brackets can only be used on flat wall surfaces.

Secure the brackets with the fixings supplied

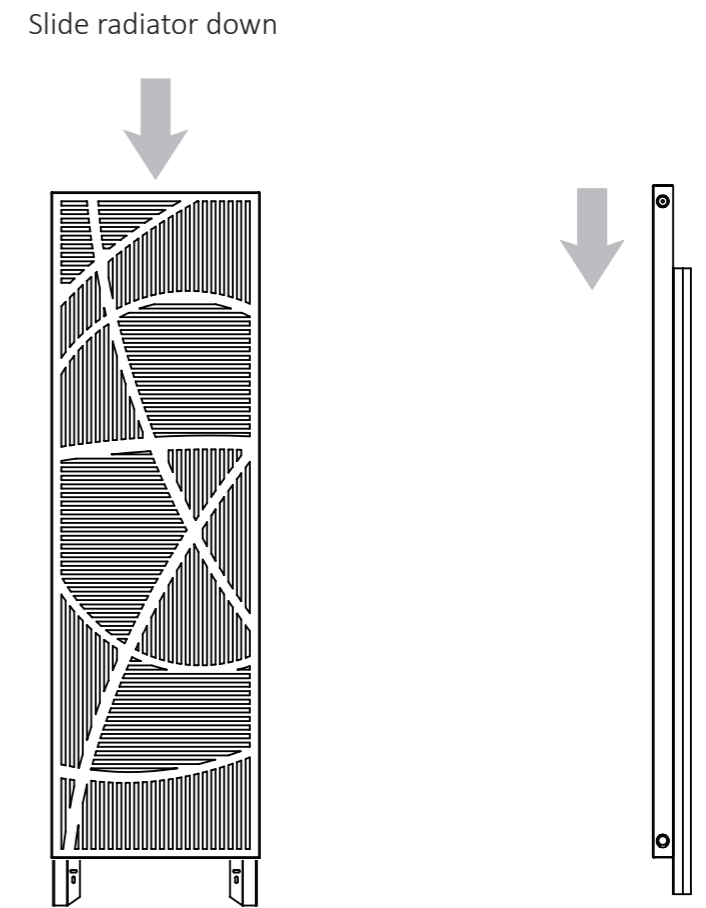


3

Radiator

Slide radiator down

The total projection from the wall is about 95mm.



4

Connections

½ inch valve connection

Radiator is designed to be installed with the inlet and outlet at the bottom

